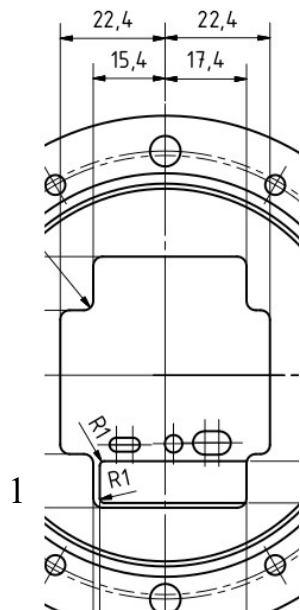
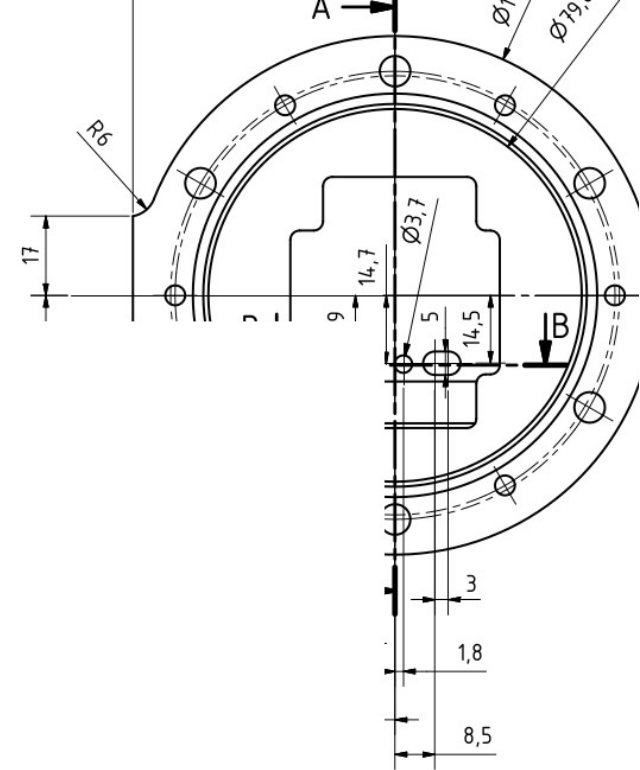
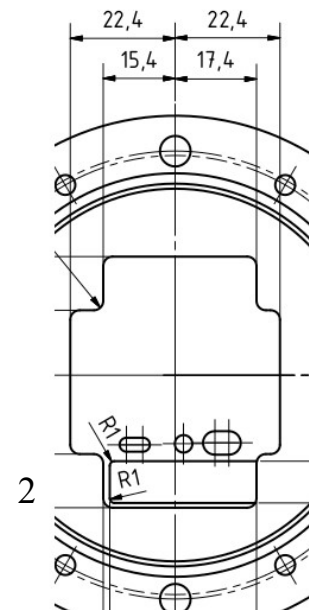
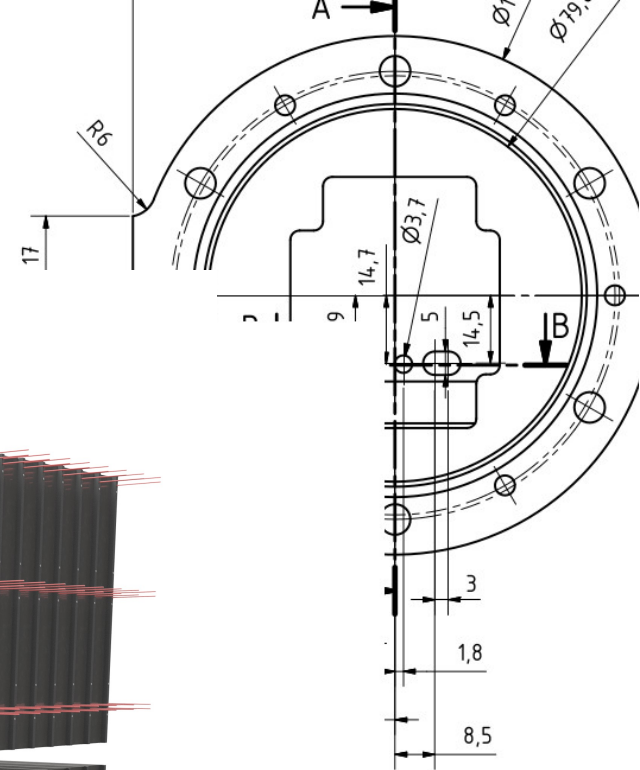
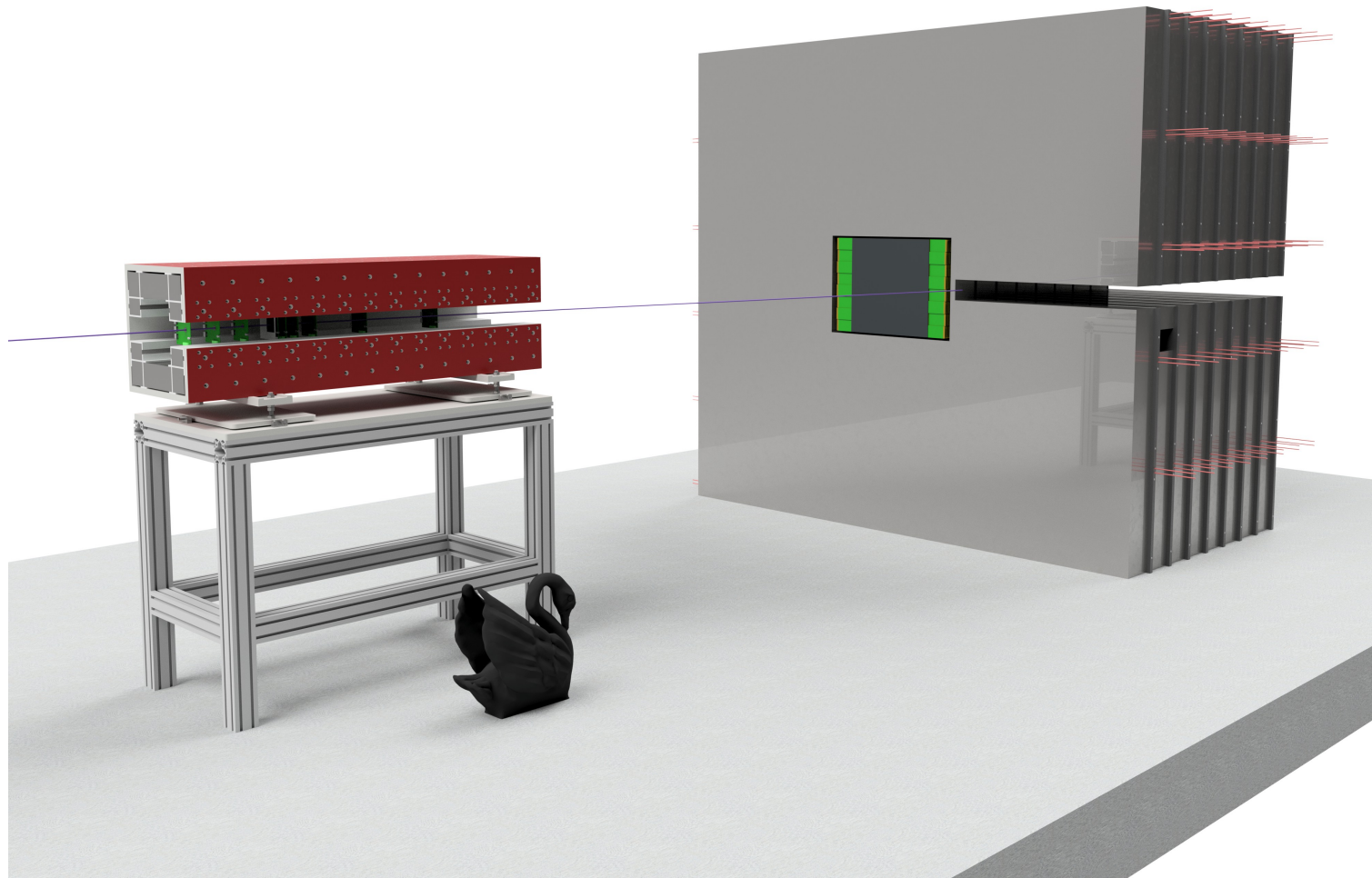


# Szintillators for HCal Prototype Stock Taking

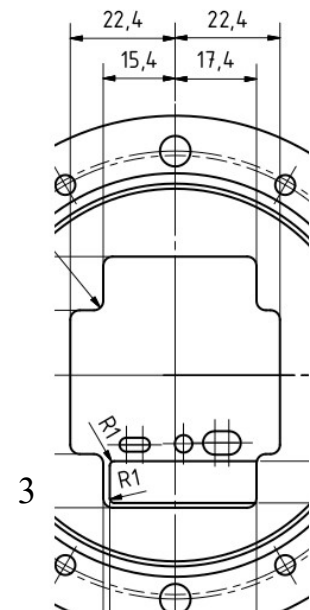
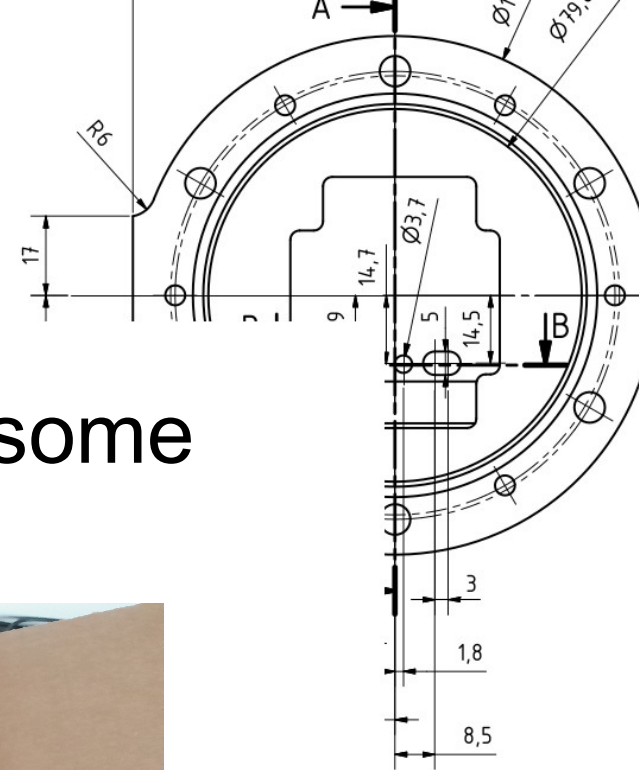


# HCal



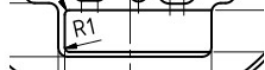
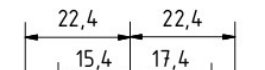
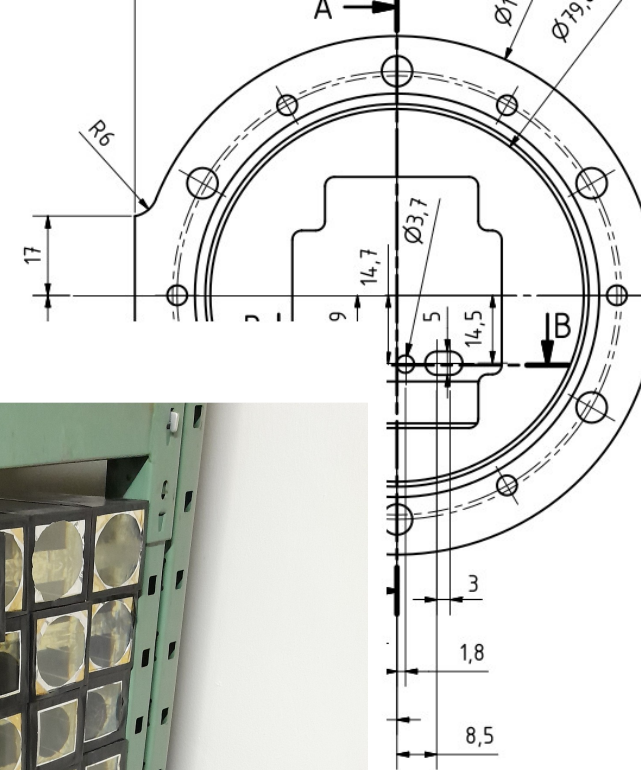
# BGO-OD stuff

- 20 1" and 20 2" PMTs(90-2000) + some sockets

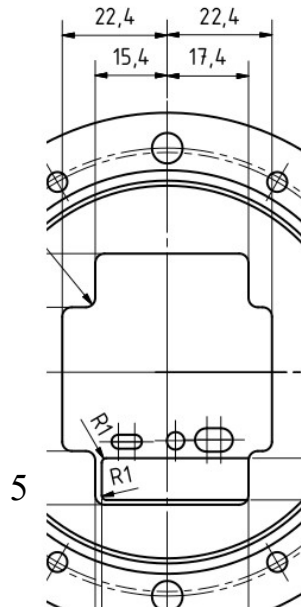
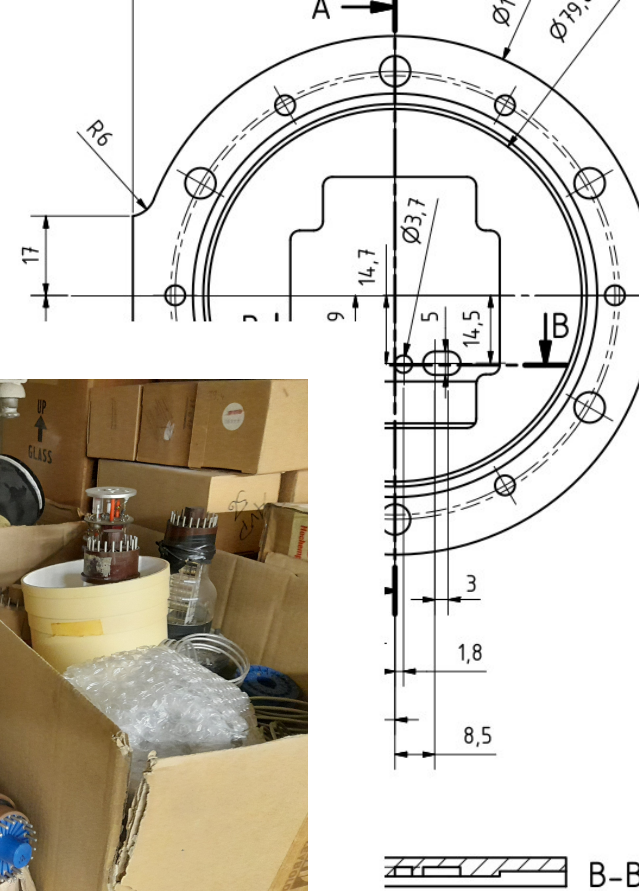


# Blocks of Scintillator

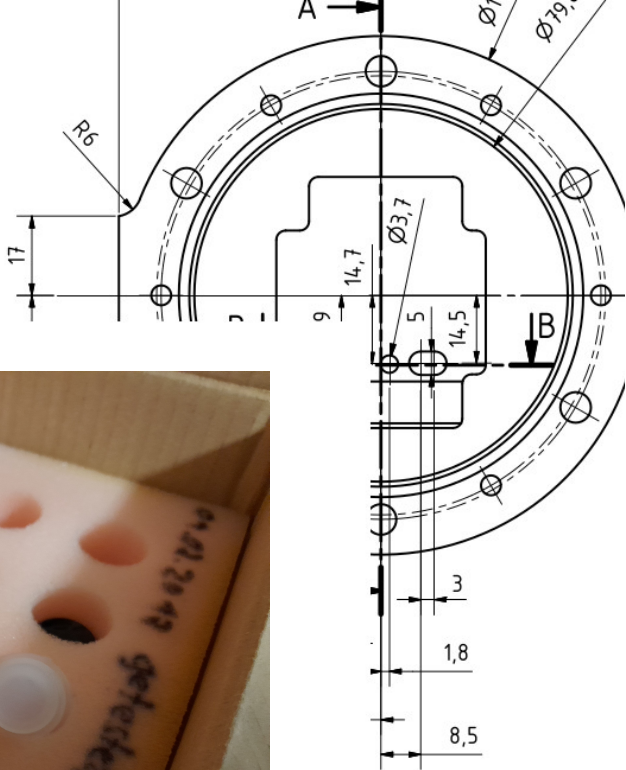
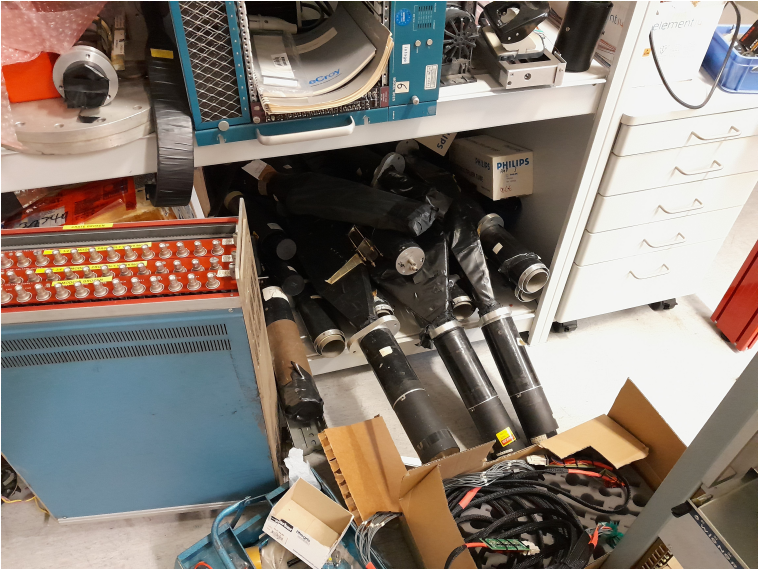
- $80 \times 80 \times 350 \text{ mm}^3$
- Unknown type



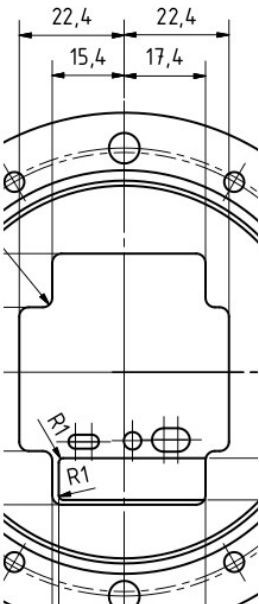
# Lots of old PMTs



# Rest of BGO-OD



B-B



6

# TOF Walls

- BGO-OD TOF?

